



US00D616729S

(12) **United States Design Patent**  
**Anderson et al.**

(10) **Patent No.:** **US D616,729 S**

(45) **Date of Patent:** **\*\* Jun. 1, 2010**

(54) **SEMI-ADJUSTABLE SUPPORT STAND FOR HOLDING DISPLAY ITEMS**

D388,313 S \* 12/1997 Benner et al. .... D8/354

(76) Inventors: **Marie L. Anderson**, 339 Lupe Ave., Newbury Park, CA (US) 91320; **Edward W. Holland**, 339 Lupe Ave., Newbury Park, CA (US) 91320

\* cited by examiner

*Primary Examiner*—Holly H Baynham  
(74) *Attorney, Agent, or Firm*—Lyon & Harr, LLP; Mark A. Watson

(\*\*) Term: **14 Years**

(21) Appl. No.: **29/225,166**

(57) **CLAIM**

(22) Filed: **Mar. 10, 2005**

The ornamental design for a semi-adjustable support stand for holding display items, as shown.

**Related U.S. Application Data**

(63) Continuation-in-part of application No. 08/992,504, filed on Dec. 17, 1997, now Pat. No. 7,040,583.

**DESCRIPTION**

(51) **LOC (9) Cl.** ..... **08-05**  
(52) **U.S. Cl.** ..... **D8/355**  
(58) **Field of Classification Search** ..... D8/354,  
D8/355; 248/300, 676, 670  
See application file for complete search history.

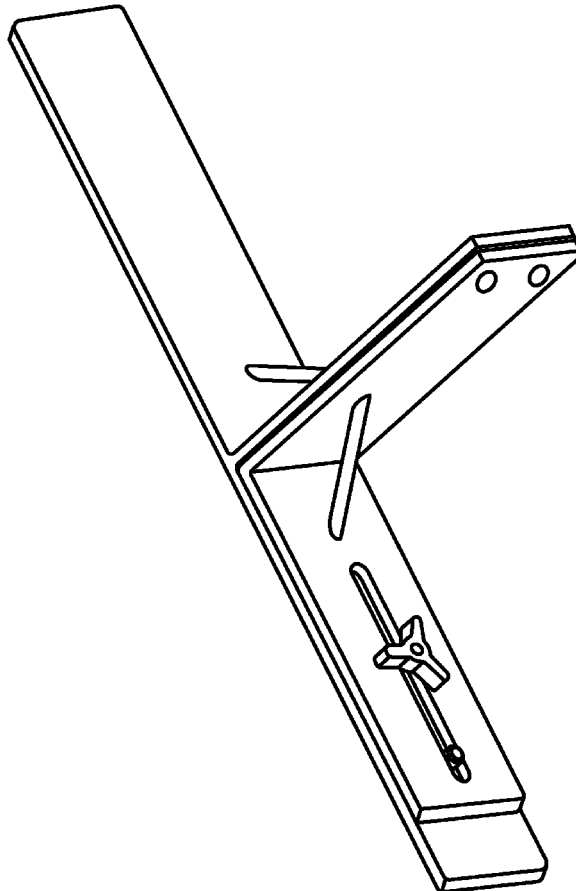
FIG. 1 is a right perspective view of a semi-adjustable support stand for holding display items showing our new design; FIG. 2 is a left perspective view thereof; FIG. 3 is a right front view thereof; and, FIG. 4 is a left front view thereof.

(56) **References Cited**

**U.S. PATENT DOCUMENTS**

D378,986 S \* 4/1997 Darula ..... D8/354

**1 Claim, 3 Drawing Sheets**



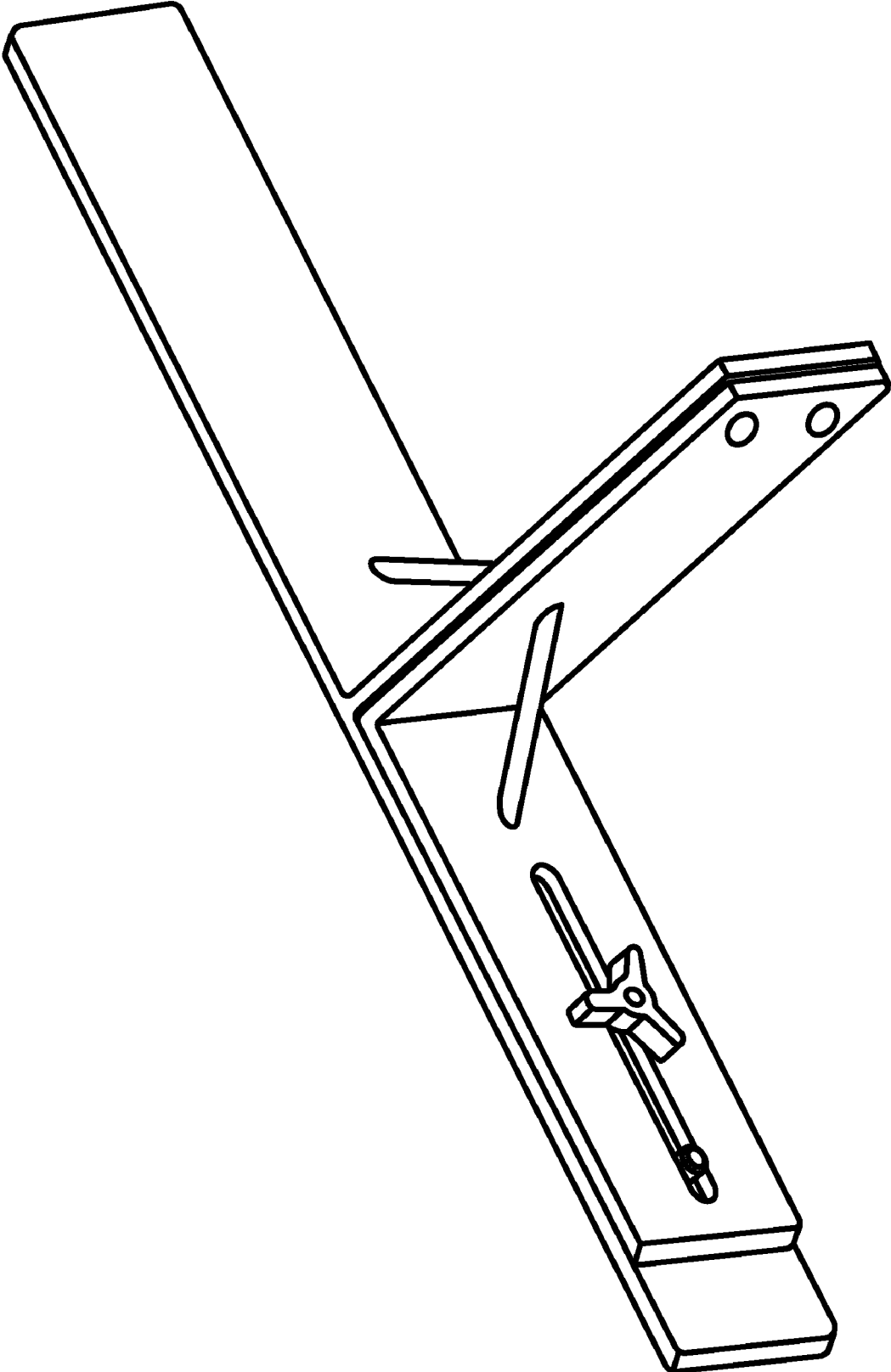


FIG. 1

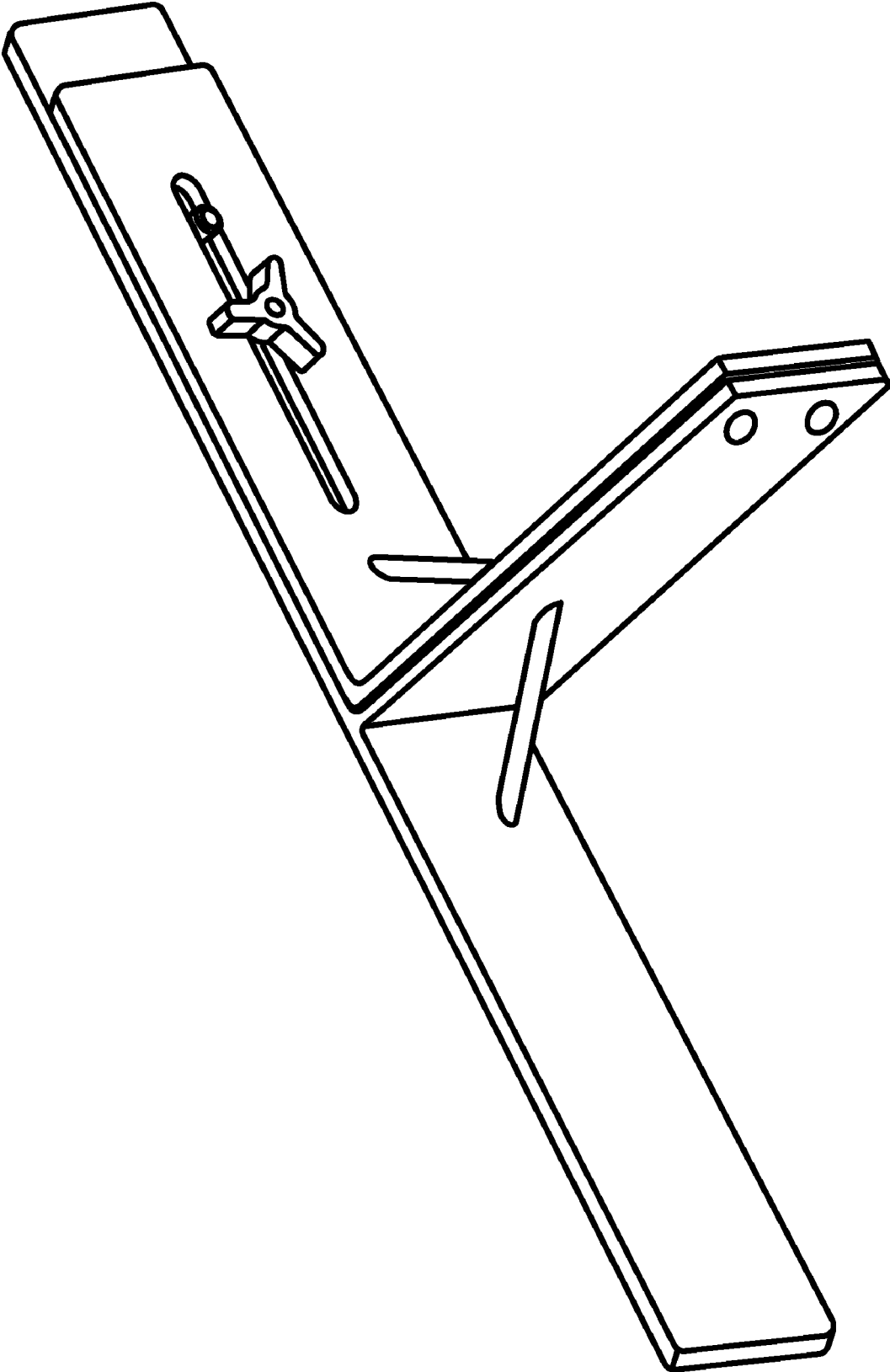


FIG. 2

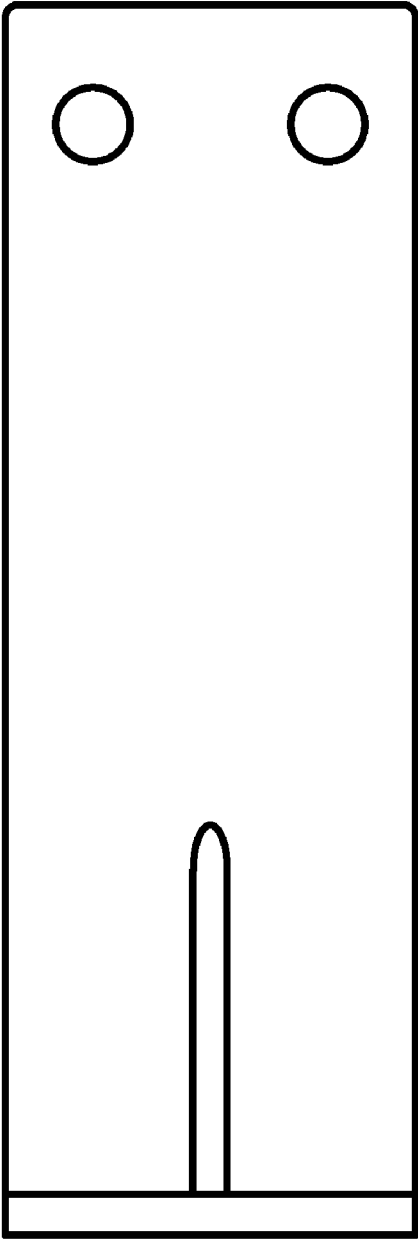


FIG. 3

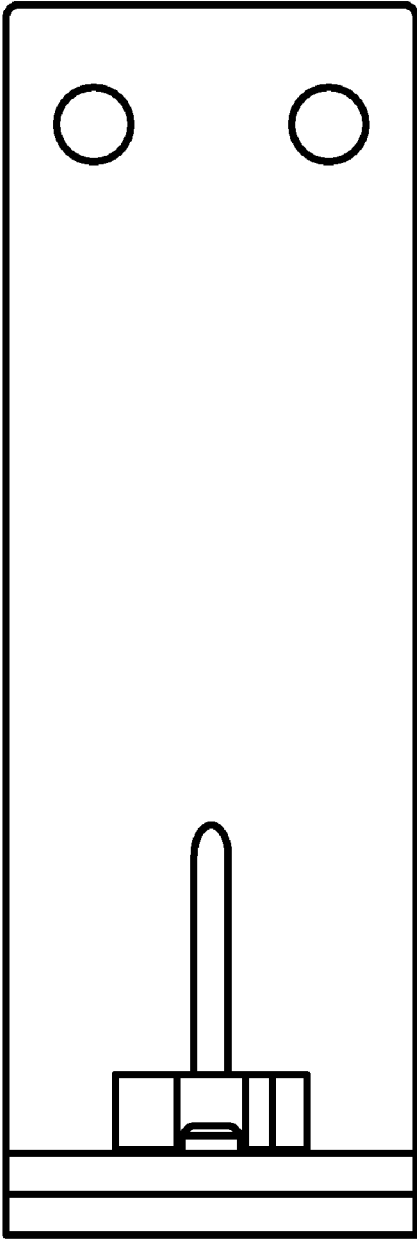


FIG. 4